




## PRODUCTS

- Products Home
- Size Table
- Accessories
- Customization
- + A-Series
- + C-Series
- + CA-Series
- + CH-Series
- + G-Series
- + H-Series
- + M-Series
- + R-Series
- + RX-Series
- + S-Series
- + SL-Series

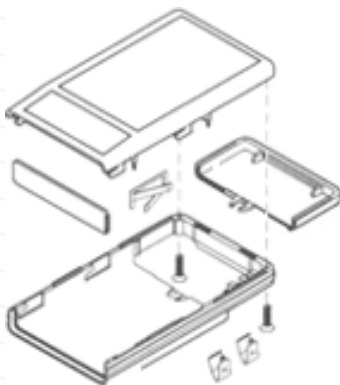
## Products: M-Series

### M-6 (AA, 9V)



MODEL	LENGTH	WIDTH	HEIGHT	DRAWINGS	
				(.pdf)	(.dwg)
<b>M-6 (AA/9V)</b> 	4.150"	2.400"	0.850"		
<a href="#">Click to view circuit board diagram (M-6 Circuit Board)</a>					

## FEATURES



- Four-piece handheld design
- Replaceable end panels ([see below](#))
- 2 x AA/ 1 x 9V battery compartment with contactors
- Assembly with two screws
- Customization available
  - five insert areas/I-Plates (top, bottom, small slanted top, small slanted bottom, face plate)
  - machining
  - pad printing

## COLORS



Black



Almond



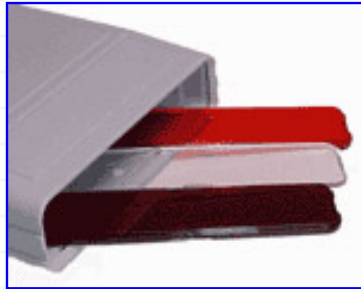
Gray

[Custom Colors Also Available](#)

Translucent colors stocked for this model (red)

[RETURN TO TOP](#)

## ACCESSORIES (Click an accessory for compatible models and part numbers)



**Infrared, Clear and  
Transparent End Panels**  
[RETURN TO TOP](#)



**Pocket Clip**

[Home](#) | [About SERPAC](#) | [Products](#) | [Accessories](#) | [Customizations](#) | [Distributors](#) | [Buy Now!](#) | [Contact Us](#)

PRODUCTS: [A-Series](#) | [C-Series](#) | [CA-Series](#) | [CH-Series](#) | [G-Series](#) | [H-Series](#) | [M-Series](#) | [R-Series](#) | [S-Series](#) | [SL-Series](#)

© 2004, SERPAC Electronic Enclosures. All Rights Reserved